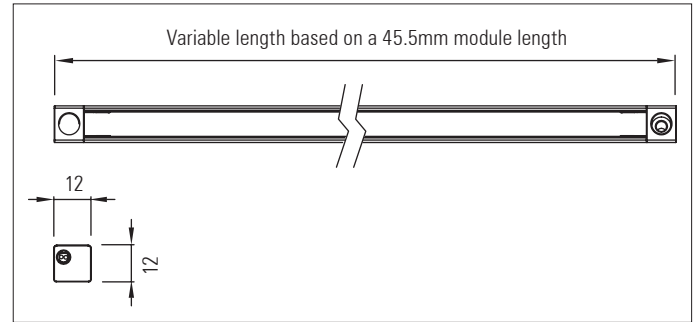
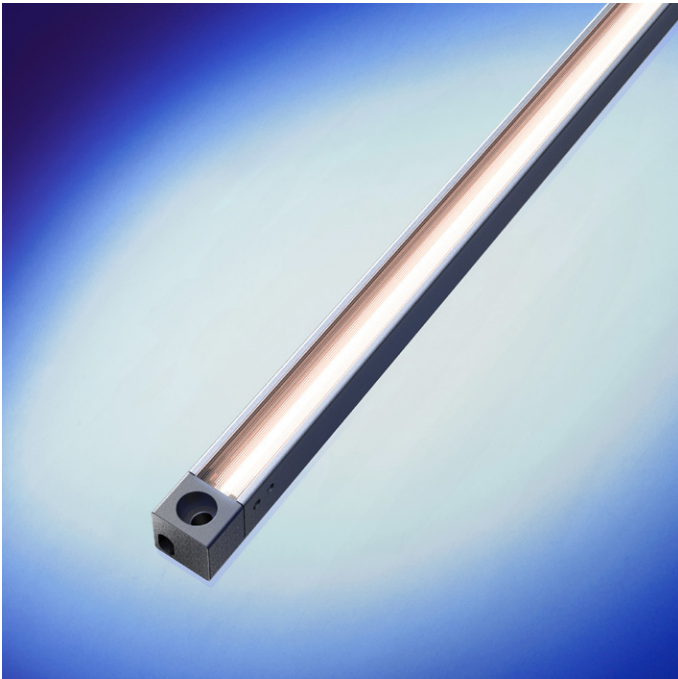


## Euclid 12 COB IP20

Miniature dot free LED linear lighting system



### Euclid 12 IP20

LED linear lighting system

#### Product description:

For use in interior indirect cabinet lighting and undershelf lighting applications

Linear COB - dot free effect

Up to 14 Watts per mtr

24V DC supply

Side, back and end power feed options

16 Amp IP20 connectors join strips together on-site

Dimming options available: 1-10V, DMX and DALI. Separate dimming channel

Various LED colour temperature and CRI options available

Satin black, satin white or any RAL paint colour finish

Custom lengths based on a 45.5mm module up to 2.5 mtrs

Up to 1400 lumens per Mtr

Product Code	IP	Length (mm)	LED Type	Optics (°)	Colour Temp. (K)	CRI	Cover	Fixing Type	Feed	Finish
EUCLID 12	20	100mm -increments of 45.5mm up to- 2,500mm	Linear COB	120°	27=2,700k 30=3,000k 35=3,500k 40=4,000k 45=4,500k 50=5,000k 60=6,000k	90	Clear Prismatic Frosted Opal	Screw - fixing	End Back Side	Black White Any RAL-colour